

Double Box with TwinCONTACT

Part no. 1648

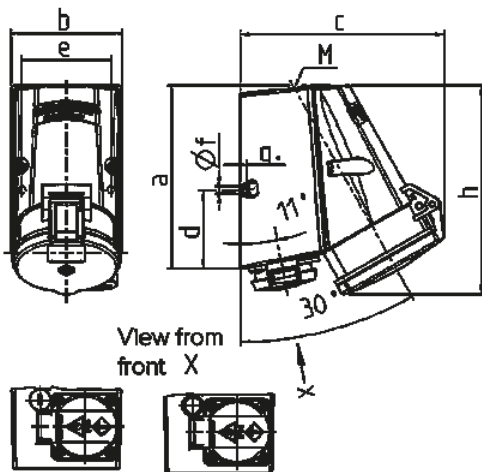


- screwless spring terminals
- CEE and receptacle SCHUKO® in one enclosure

Technical specifications

| | |
|---------------------------|---------|
| CEE 16 A, 4 p, 400 V | 1 |
| SCHUKO® 16 A, 230 V | 1 |
| Protection type | IP 44 |
| Shutter | false |
| Enclosure material | Plastic |
| Weight | 380 g |
| Declaration of Conformity | NL,Kema |

Drawing



| Drawing 1 MB 354 | Amp. Poles | 16 | | 32 | |
|---------------------|---|-----|-----|-----|-----|
| | | 4 | 5 | 5 | |
| Dim. in mm | a | 141 | 141 | 141 | |
| | b | 84 | 84 | 85 | |
| | c | 136 | 140 | 158 | |
| | d | 61 | 61 | 61 | |
| | e | 68 | 68 | 68 | |
| | f | 5.5 | 5.5 | 5.5 | |
| | g | 5 | 5 | 5 | |
| | h | 142 | 145 | 161 | |
| | M | 25 | 25 | 25 | |
| | Max. cable diam. (mm) | | 18 | 18 | 18 |
| | Terminal for cond. cross section (mm ²) min.-max. | | 1.5 | 1.5 | 2.5 |
| | | —4 | —4 | —10 | |