

## Panel mounted receptacle

Part no. 1149A

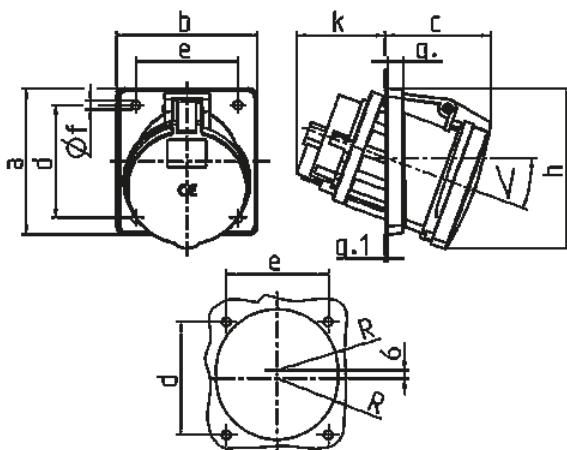


- screw terminals
- X-CONTACT®
- 20° inclination
- products with pilot contact on request

## Technical specifications

Ampere	63 A
Poles	4 p
Voltage	110 V
Clock position	4 h
Hertz	50-60 Hz
Connection technology	Screw terminals
Contact	highly heat resistant contact carrier, X-CONTACT®
Protection type	IP 44
Flange	110x106 mm
Fixing hole	85x77 mm
Inclination	20 °
Weight	569 g
Declaration of Conformity	VDE, EAC, CQC

## Drawing



Drawing	Amp.	63		
		3	4	5
<b>1 MB 297</b>	<b>Poles</b>			
<b>Dim. in mm</b>	<b>a</b>	110	110	110
	<b>b</b>	106	106	106
	<b>c</b>	82	82	82
	<b>d</b>	85	85	85
	<b>e</b>	77	77	77
	<b>f</b>	6.5	6.5	6.5
	<b>g.</b>	12	12	12
	<b>g.1</b>	2	2	2
	<b>h</b>	122	122	122
	<b>k</b>	69	69	69
	<b>R</b>	46	46	46
	<b>α</b>	20°	20°	20°
	<b>Terminal for cond. cross section (mm<sup>2</sup>) min.-max.</b>	6 —25	6 —25	6 —25