

## Double Box with TwinCONTACT

Part no. 1649

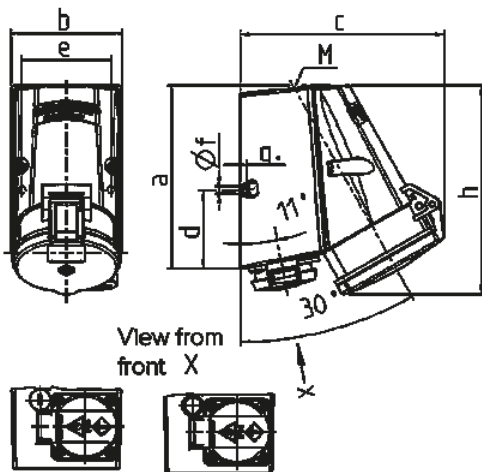


- screwless spring terminals
- CEE and receptacle SCHUKO® in one enclosure
- also available with shock-proof receptacles to comply with French/Belgian, Danish and Swiss standards

### Technical specifications

CEE 16 A, 5 p, 400 V	1
SCHUKO® 16 A, 230 V	1
Protection type	IP 44
Shutter	false
Enclosure material	Plastic
Weight	375 g
Declaration of Conformity	VDE, EAC, Kema

### Drawing



Drawing	Amp.	16			32
		Poles			5
<b>1 MB 354</b>		<b>4</b>	<b>5</b>	<b>5</b>	
<b>Dim. in mm</b>	<b>a</b>	141	141	141	
	<b>b</b>	84	84	85	
	<b>c</b>	136	140	158	
	<b>d</b>	61	61	61	
	<b>e</b>	68	68	68	
	<b>f</b>	5.5	5.5	5.5	
	<b>g</b>	5	5	5	
	<b>h</b>	142	145	161	
	<b>M</b>	25	25	25	
<b>Max. cable diam. (mm)</b>		18	18	18	
<b>Terminal for cond. cross section (mm<sup>2</sup>) min.-max.</b>		1.5	1.5	2.5	
		—4	—4	—10	