

Panel mounted receptacle with TwinCONTACT

Part no. 1669

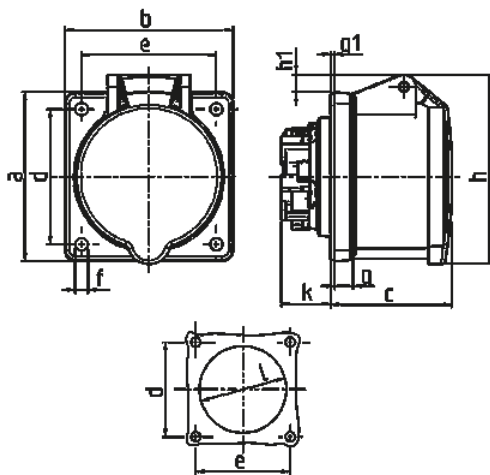


- screwless spring terminals
- suitable for through wiring
- straight
- blanking flange to close unused apertures part no. 41419

Technical specifications

| | |
|---------------------------|-------------------------|
| Ampere | 16 A |
| Poles | 3 p |
| Voltage | 400 V |
| Clock position | 9 h |
| Hertz | 50-60 Hz |
| Connection technology | Screwless - TwinCONTACT |
| Contact | standard |
| Protection type | IP 44 |
| Flange | 75x75 mm |
| Fixing hole | 60x60 mm |
| Weight | 114 g |
| Declaration of Conformity | VDE, EAC, CQC |

Drawing



| Drawing 1 MB 464 | Amp. Poles | 16 | | | 32 | | |
|---------------------|---------------------------------------------------------------|--------|--------|--------|--------|--------|--------|
| | | 3 | 4 | 5 | 3 | 4 | 5 |
| Dim. in mm | a | 75 | 75 | 75 | 75 | 75 | 75 |
| | b | 75 | 75 | 75 | 75 | 75 | 75 |
| | c | 53 | 53 | 54 | 64 | 64 | 64 |
| | d | 60 | 60 | 60 | 60 | 60 | 60 |
| | e | 60 | 60 | 60 | 60 | 60 | 60 |
| | f | 5.5 | 5.5 | 5.5 | 5.5 | 5.5 | 5.5 |
| | g. | 8 | 8 | 8 | 8 | 8 | 8 |
| | g.1 | 2 | 2 | 2 | 2 | 2 | 2 |
| | h | 75 | 80 | 85 | 89 | 89 | 95 |
| | h1 | | 5 | 8 | 10 | 10 | 12 |
| | k | 22 | 22 | 22 | 28 | 28 | 28 |
| | l | 43 | 52 | 57 | 60 | 60 | 64 |
| | Terminal for cond. cross section (mm ²) min.-max. | 1.5 -4 | 1.5 -4 | 1.5 -4 | 2.5 -6 | 2.5 -6 | 2.5 -6 |