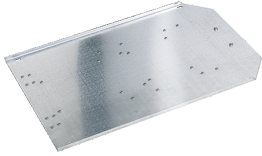


Mounting plate

Part no. 18416

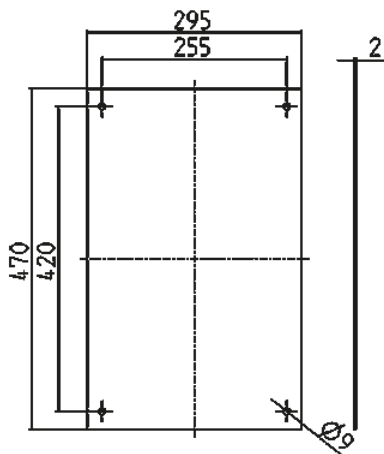


- galvanised
- for enclosure size 530 x 400 x 220 mm

Technical specifications

Weight	2142 g
Declaration of Conformity	EAC

Drawing



Drawing
5 MB 64

Dim. in mm