

**Protective cover**

Part no. 40787

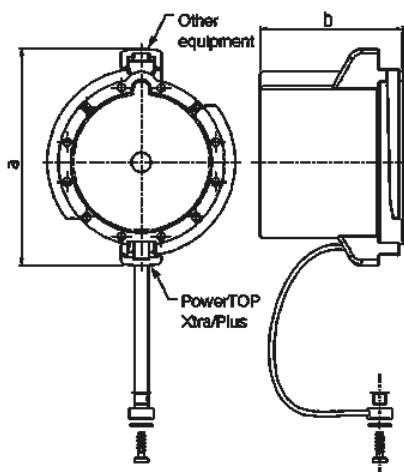
- for watertight plugs, wall mounted and panel mounted inlets



**Technical specifications**

|                           |       |
|---------------------------|-------|
| Ampere                    | 63 A  |
| Poles                     | 5 p   |
| Weight                    | 107 g |
| Declaration of Conformity | EAC   |

**Drawing**



| Drawing    | Amp.  | 63 |     |   | 125 |     |   |
|------------|-------|----|-----|---|-----|-----|---|
|            |       | 3  | 4   | 5 | 3   | 4   | 5 |
| 2 MB 239   | Poles |    |     |   |     |     |   |
| Dim. in mm | a     |    | 110 |   |     | 120 |   |
|            | b     |    | 73  |   |     | 79  |   |