

Panel mounted receptacle

Part no. 1155A

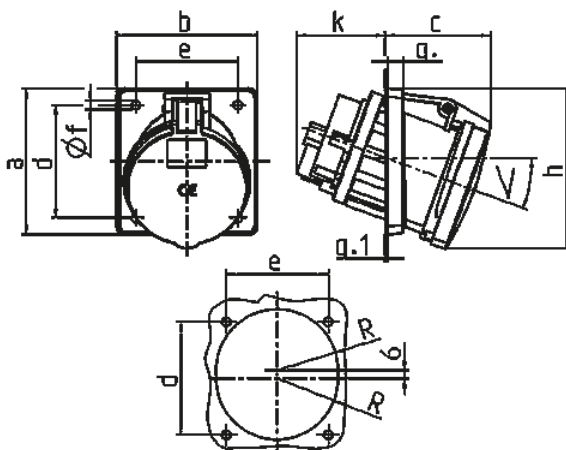


- screw terminals
- **X-CONTACT**
- 20° inclination
- products with pilot contact on request

Technical specifications

| | |
|---------------------------|---|
| Ampere | 63 A |
| Poles | 5 p |
| Voltage | 400 V |
| Clock position | 6 h |
| Hertz | 50-60 Hz |
| Connection technology | Screw terminals |
| Contact | highly heat resistant contact carrier, X-CONTACT® |
| Protection type | IP 44 |
| Flange | 110x106 mm |
| Fixing hole | 85x77 mm |
| Inclination | 20 ° |
| Weight | 627 g |
| Declaration of Conformity | VDE, EAC, CQC |

Drawing



| Drawing | Amp. | 63 | | |
|---|------------|----------|----------|----------|
| | | Poles | | |
| 1 MB 297 | | 3 | 4 | 5 |
| Dim. in mm | a | 110 | 110 | 110 |
| | b | 106 | 106 | 106 |
| | c | 82 | 82 | 82 |
| | d | 85 | 85 | 85 |
| | e | 77 | 77 | 77 |
| | f | 6.5 | 6.5 | 6.5 |
| | g | 12 | 12 | 12 |
| | g.1 | 2 | 2 | 2 |
| | h | 122 | 122 | 122 |
| | k | 69 | 69 | 69 |
| | R | 46 | 46 | 46 |
| | α | 20° | 20° | 20° |
| Terminal for cond. cross section (mm²) min.-max. | | 6 —25 | 6 —25 | 6 —25 |