

Panel mounted receptacle with TwinCONTACT

Part no. 1672

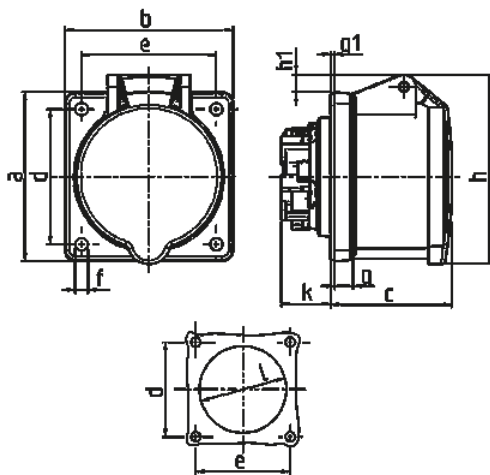


- screwless spring terminals
- suitable for through wiring
- straight
- blanking flange to close unused apertures part no. 41419

Technical specifications

Ampere	16 A
Poles	4 p
Voltage	110 V
Clock position	4 h
Hertz	50-60 Hz
Connection technology	Screwless - TwinCONTACT
Contact	standard
Protection type	IP 44
Flange	75x75 mm
Fixing hole	60x60 mm
Weight	127 g
Declaration of Conformity	EAC, CQC

Drawing



Drawing 1 MB 464 Dim. in mm	Amp. Poles	16			32		
		3	4	5	3	4	5
a		75	75	75	75	75	75
b		75	75	75	75	75	75
c		53	53	54	64	64	64
d		60	60	60	60	60	60
e		60	60	60	60	60	60
f		5.5	5.5	5.5	5.5	5.5	5.5
g.		8	8	8	8	8	8
g.1		2	2	2	2	2	2
h		75	80	85	89	89	95
h1			5	8	10	10	12
k		22	22	22	28	28	28
l		43	52	57	60	60	64
Terminal for cond. cross section (mm ²) min.-max.		1.5 -4	1.5 -4	1.5 -4	2.5 -6	2.5 -6	2.5 -6