

**Plug PowerTOP TM**

Part no. 24870

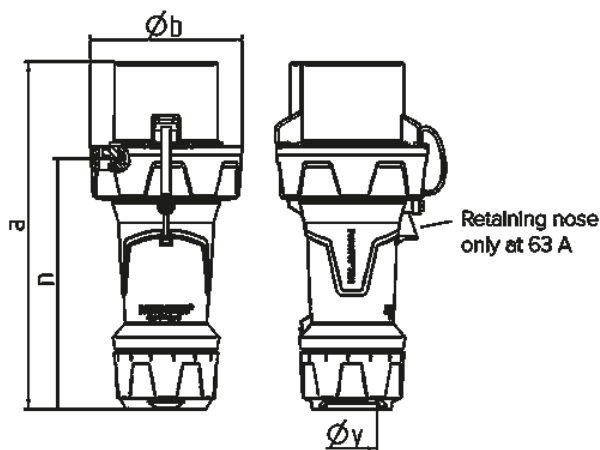


- screw terminals
- frame terminals
- highly heat resistant contact carrier
- nickel plated contacts
- cable gland and external cable grip
- with protective cap (form CP)

**Technical specifications**

Ampere	63 A
Poles	5 p
Voltage	400 V
Clock position	6 h
Hertz	50-60 Hz
Connection technology	Screw terminals
Contact	nickel plated contacts, highly heat resistant contact carrier
Protection type	IP 67
Weight	880 g
Declaration of Conformity	VDE, EAC

**Drawing**



Drawing 2 MB 241	Amp. Poles	63	125
		5	5
Dim. in mm	a	260	300
	b	114	130
	n	188	219
	y	36	49
Terminal for cond. cross section (mm <sup>2</sup> ) min.-max.		6 —16	25 —50