

Plug PowerTOP® Xtra TM

Part no. 24973

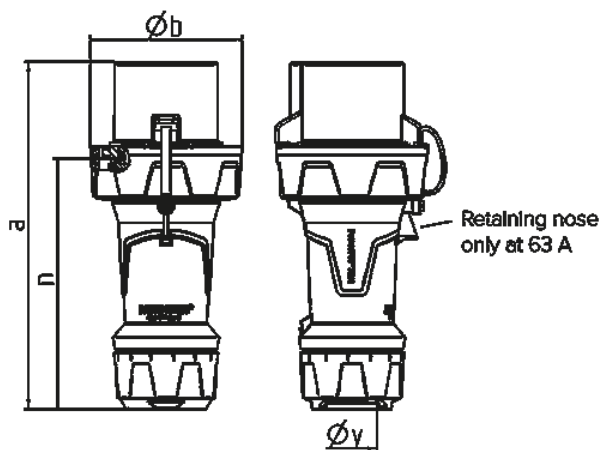


- screw terminals
- frame terminals
- highly heat resistant contact carrier
- nickel plated contacts
- cable gland and external cable grip with protective cap
- (form CP)

Technical specifications

Ampere	125 A
Poles	5 p
Voltage	50-500 V
Clock position	2 h
Hertz	300-500 Hz
Connection technology	Screw terminals
Contact	nickel plated contacts, highly heat resistant contact carrier
Protection type	IP 67
Weight	1400 g
Declaration of Conformity	VDE, EAC

Drawing



Drawing 2 MB 241	Amp. Poles	63	125
		5	5
Dim. in mm	a	260	300
	b	114	130
	n	188	219
	y	36	49
Terminal for cond. cross section (mm ²) min.-max.		6 —16	25 —50