

Panel mounted receptacle

Part no. 75046

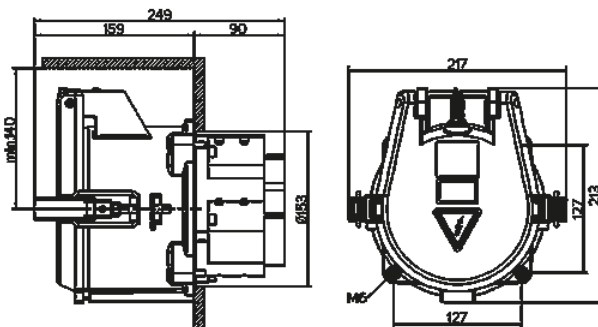


- screw terminals
- seawater resistant products are available on request

Technical specifications

Ampere	400 A
Poles	4 p
Voltage	400 V
Clock position	6 h
Hertz	50-60 Hz
Connection technology	Screw terminals
Contact	standard
Protection type	IP 67
Weight	7000 g
Declaration of Conformity	EAC

Drawing



**Drawing
1 MB 388**

Dim. in mm