

Stainless steel receptacle combination

Part no. 83705

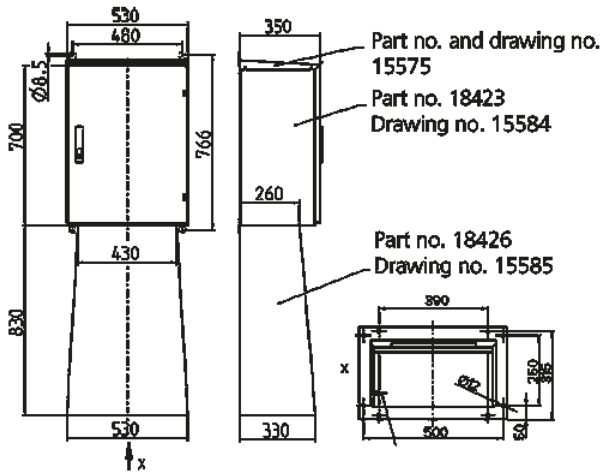


- stainless steel enclosure (material 1.4301)
- surface with a flat finish (K240), material 1.4571 on request
- protection type IP 44 with closed door

Technical specifications

CEE 63 A, 5 p, 400 V	1	
CEE 32 A, 5 p, 400 V	2	
CEE 16 A, 5 p, 400 V	2	
SCHUKO® 16 A, 230 V	3	
Fusing		<ul style="list-style-type: none"> • 2 RCD's 63 A, 4 p, 0.03 A • 2 MCB's 63 A, 3 p, C • 2 MCB's 32 A, 3 p, C • 2 MCB's 16 A, 3 p, C • 3 MCB's 16 A, 1 p, B
Pre-fuse max.	125 A	
InA	70 A	
RDF	0.4	
Connection / feeder cable		• for 2 cables up to 5 x 50 mm ²
Protection type	IP 44	
Shutter	false	
Enclosure material	Metal	
Weight	68000 g	
Height	700 mm	
Width	530 mm	
Depth	350 mm	
Declaration of Conformity	EAC	

Drawing



Drawing
1 MB 439

Dim. in mm