

Stainless steel receptacle combination

Part no. 83706

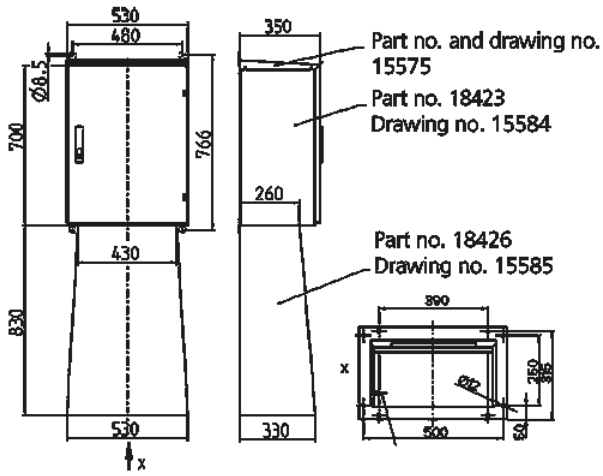


- stainless steel enclosure (material 1.4301)
- surface with a flat finish (K240), material 1.4571 on request
- protection type IP 44 with closed door

Technical specifications

CEE 63 A, 5 p, 400 V	1
CEE 32 A, 5 p, 400 V	1
CEE 16 A, 5 p, 400 V	1
SCHUKO® 16 A, 230 V	4
Fusing	<ul style="list-style-type: none"> • 2 RCD's 63 A, 4 p, 0.03 A • 2 MCB's 63 A, 3 p, C • 1 MCB 32 A, 3 p, C • 1 MCB 16 A, 3 p, C • 4 MCB's 16 A, 1 p, B
Connection / feeder cable	<ul style="list-style-type: none"> • for 2 cables up to 5 x 50 mm²
Protection type	IP 44
Shutter	false
Enclosure material	Metal
Weight	50000 g
Height	700 mm
Width	530 mm
Depth	350 mm
Declaration of Conformity	EAC

Drawing



Drawing
1 MB 439

Dim. in mm