

## Stainless steel receptacle combination

Part no. 83744

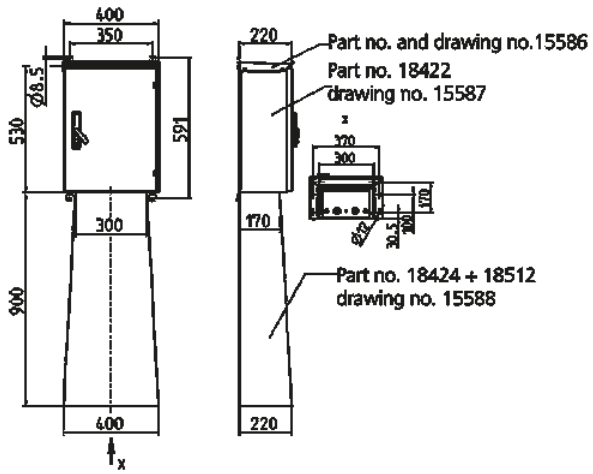


- stainless steel enclosure (material 1.4301)
- surface with a flat finish (K240), material 1.4571 on request
- protection type IP 44 with closed door

## Technical specifications

CEE 32 A, 5 p, 400 V	1
CEE 16 A, 5 p, 400 V	1
SCHUKO® 16 A, 230 V	2
Fusing	<ul style="list-style-type: none"> <li>• 1 RCD 63 A, 4 p, 0.03 A</li> <li>• 1 MCB 32 A, 3 p, C</li> <li>• 1 MCB 16 A, 3 p, C</li> <li>• 2 MCB's 16 A, 1 p, B</li> </ul>
Pre-fuse max.	100 A
InA	46 A
RDF	0.75
Connection / feeder cable	<ul style="list-style-type: none"> <li>• for 2 cables up to 5 x 25 mm<sup>2</sup></li> </ul>
Protection type	IP 44
Shutter	false
Enclosure material	Metal
Weight	22240 g
Height	530 mm
Width	400 mm
Depth	220 mm
Declaration of Conformity	EAC

## Drawing



**Drawing**  
**1 MB 437**

**Dim. in mm**