

## Panel mounted receptacle

Part no. 2761P

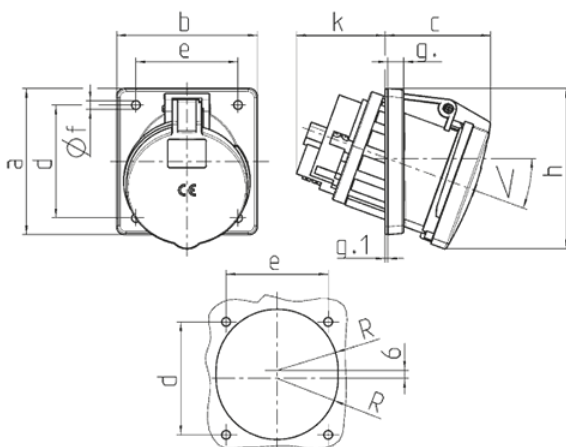


- screw terminals
- with pilot contact
- **X-CONTACT**
- highly heat resistant contact carrier
- 20° inclination

## Technical specifications

Ampere	63 A
Poles	5 p
Voltage	600-690 V
Clock position	5 h
Hertz	50-60 Hz
Connection technology	Screw terminals
Contact	X-CONTACT, highly heat resistant contact carrier
Protection type	IP44
Flange	110x106 mm
Fixing hole	85x77 mm
Inclination	20°
Weight	653 g

## Drawing



Drawing	Amp.	63		
		Poles		
1 MB 297		3	4	5
Dim. in mm	a	110	110	110
	b	106	106	106
	c	82	82	82
	d	85	85	85
	e	77	77	77
	f	6.5	6.5	6.5
	g.	12	12	12
	g.1	2	2	2
	h	122	122	122
	k	69	69	69
	R	46	46	46
	α	20°	20°	20°
Terminal for cond. cross section (mm <sup>2</sup> ) min.-max.		6 —25	6 —25	6 —25