

# Plug PowerTOP Xtra R

Part number: 13102



**MENNEKES**  
Elektrotechnik GmbH & Co. KG

Aloys-Mennekes-Straße 1  
57399 Kirchhundem  
GERMANY

[www.MENNEKES.org](http://www.MENNEKES.org)

## Product Description

- economic enclosure design with nubbed grip areas
- enclosure with thread lock and safety slide
- highly heat resistant contact carrier, nickel plated contacts
- frame terminals
- protection against kinking
- strain relief
- rubberised cable gland with sealing

## Technical Details

Plug PowerTOP Xtra R	13102
Product serie	PowerTOP Xtra R
Ampere	63A
Number of poles	3p
Clock position	6h
Nominal voltage AC	230V
Nominal frequency	50 - 60 Hz
Protection type IP	IP54
Contact carrier	highly heat resistant contact carrier, nickel plated contacts
Connection	frame terminals
Contact screw drive	PZ2, slot
Tightening torque connection terminal	2 Nm
Recommended wire end treatment for supply cable connection terminal	usable with and without ferrule
Strip length jacket	80 mm
Strip length conductor	18 mm
Phase inverter	without phase inverter
Pilot contact	1 pilot contact
Conductor cross-section min.	6 mm <sup>2</sup>
Conductor cross-section max.	16 mm <sup>2</sup>
Cable kink protection	integrated in cable gland
Protective grommet	without protective grommet
Protective cap	without protective cap
Weight (net)	682 g

Plug PowerTOP Xtra R	13102
Packaging unit	5 pcs
Quantity per pallet	225 pcs
EAN / identification number	4015394238508

**Permissible ambient conditions**

	Min.	Max.
Permanent ambient temperature	-25 °C	40 °C

**Material properties**

Cover	PBT/PC squirrel grey [similar RAL 7000]
	TPE anthracite [similar RAL 7016]
Front part	PBT/PC blue [similar RAL 5007]
	TPE black [similar RAL 9005]
Clamp basket	PBT/PC black [similar RAL 9005]
	TPE natural colour [no RAL colour code]
Fastening	PBT/PC squirrel grey [similar RAL 7000]
	TPE anthracite [similar RAL 7016]

**Material resistance**

The material resistance overview can be found on the website in the section “Knowledge” - “Product knowledge” - “Materials”.

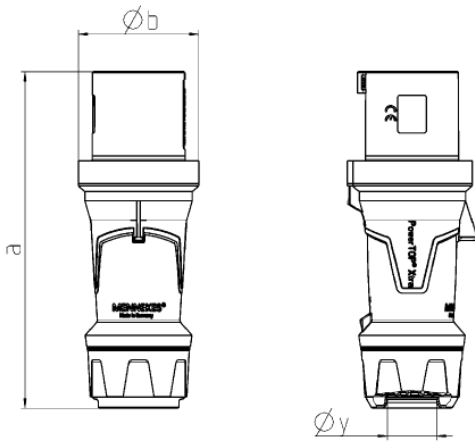
**Material and environmental properties**

RoHS 2011/65/EU incl. 2015/863/EU	✓
POP regulation (EU) 2019/1021	✓

Regulations and Standards

Norm	DIN EN IEC 60309-2
Declaration of Conformity	CE
Test label	CB Zertifikat, VDE, EAC

# Dimensional Drawing



Drawing 2 MB 226	Amp. Poles	63		
		3	4	5
Dim. in mm	a	250	250	250
	b	90	90	90
	y	36	36	36
Terminal for cond. cross		6	6	6
section (mm <sup>2</sup> ) min.-max.		—16	—16	—16