

Connector AM-TOP

Part number: 21039ZB



MENNEKES
Elektrotechnik GmbH & Co. KG

Aloys-Mennekes-Straße 1
57399 Kirchhundem
GERMANY

www.MENNEKES.org

Product Description

- screw connection technology
- single part body
- highly heat resistant contact carrier, nickel plated contacts
- protection against kinking
- strain relief
- cable gland and sealing

Technical Details

Connector AM-TOP	21039ZB
Product serie	AM-TOP
Ampere	32A
Number of poles	5p
Clock position	6h
Nominal voltage AC	400V
Nominal frequency	50 - 60 Hz
Protection type IP	IP44
Contact carrier	highly heat resistant contact carrier, nickel plated contacts
X-CONTACT	no
Connection	screw terminals
Contact screw drive	PZ2, slot
Tightening torque connection terminal for cable cross-section 2,5 - 4,0 mm ²	0.8 Nm
Tightening torque connection terminal for cable cross-section 6,0 mm ²	1.2 Nm
Recommended wire end treatment for supply cable connection terminal	ferrule square gasproof crimped
Strip length jacket	50 mm
Strip length conductor PH + N	12 - 17 mm
Strip length conductor PE	12 - 17 mm
Pilot contact	without pilot contact
Conductor cross-section min.	2.5 mm ²
Conductor cross-section max.	6 mm ²

Connector AM-TOP	21039ZB
Cable kink protection	integrated in cable gland
Protective grommet	without protective grommet
Weight (net)	380 g
Packaging unit	10 pcs
Quantity per pallet	540 pcs
EAN / identification number	4015394205890

Permissible ambient conditions

	Min.	Max.
Permanent ambient temperature	-25 °C	40 °C

Material properties

Housing	PA6 black [similar RAL 9005]
Hinged lid	PC black [similar RAL 9005]
Clamp basket	PA6 natural colour [no RAL colour code]
	TPE natural colour [no RAL colour code]
Fastening	PA6 black [similar RAL 9005]

Material resistance

The material resistance overview can be found on the website in the section "Knowledge" - "Product knowledge" - "Materials".

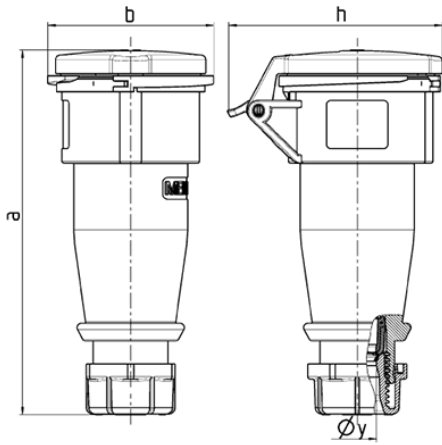
Material and environmental properties

RoHS 2011/65/EU incl. 2015/863/EU	✓
POP regulation (EU) 2019/1021	✓

Regulations and Standards

Norm	DIN EN IEC 60309-2
Declaration of Conformity	CE
Test label	EAC

Dimensional Drawing



Drawing 3 MB 63	Amp. Poles	16			32		
		3	4	5	3	4	5
Dim. in mm	a	162	165	167	209	209	208
	b	60	68	76	82	82	89
	h	83	92	98	100	100	108
	y	14.5	16	16	22	22	22
Terminal for cond. cross		1	1	1	2.5	2.5	2.5
section (mm ²) min.-max.		-2.5	-2.5	-2.5	-6	-6	-6