

Plug AM-TOP

Part number: 24660



MENNEKES
Elektrotechnik GmbH & Co. KG

Aloys-Mennekes-Straße 1
57399 Kirchhundem
GERMANY

www.MENNEKES.org

Product Description

- screw connection technology
- single part body
- highly heat resistant contact carrier, nickel plated contacts
- protection against kinking
- strain relief
- cable gland and sealing
- with protective cap
- (form DS)

Technical Details

Plug AM-TOP	24660
Product serie	AM-TOP
Ampere	16A
Number of poles	3p
Clock position	6h
Nominal voltage AC	230V
Nominal frequency	50 - 60 Hz
Protection type IP	IP67
Contact carrier	highly heat resistant contact carrier, nickel plated contacts
Connection	screw terminals
Contact screw drive	PZ2, slot
Tightening torque connection terminal for cable cross-section 1,0 - 1,5 mm ²	0.6 Nm
Tightening torque connection terminal for cable cross-section 2,5 - 4,0 mm ²	0.8 Nm
Recommended wire end treatment for supply cable connection terminal	ferrule square gasproof crimped
Strip length jacket	40 mm
Strip length conductor	8 - 10 mm
Phase inverter	without phase inverter
Pilot contact	without pilot contact
Conductor cross-section min.	1 mm ²
Conductor cross-section max.	2.5 mm ²
Cable kink protection	integrated in cable gland
Protective grommet	without protective grommet

Plug AM-TOP	24660
Protective cap	with protective cap
Weight (net)	187 g
Packaging unit	10 pcs
Quantity per pallet	1520 pcs
EAN / identification number	4015394260677

Permissible ambient conditions

	Min.	Max.
Permanent ambient temperature	-25 °C	40 °C

Material properties

Housing	PA6 bronze green [similar RAL 6031]
Protective cap	PC bronze green [similar RAL 6031]
Bayonet ring	PC bronze green [similar RAL 6031]
Clamp basket	PA6 natural colour [no RAL colour code]
	TPE squirrel grey [similar RAL 7000]
Fastening	PA6 bronze green [similar RAL 6031]

Material resistance

The material resistance overview can be found on the website in the section “Knowledge” - “Product knowledge” - “Materials”.

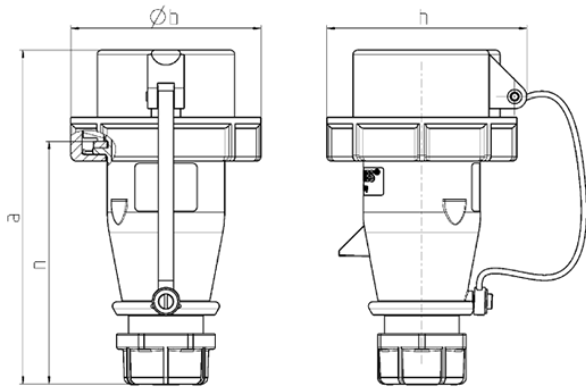
Material and environmental properties

RoHS 2011/65/EU incl. 2015/863/EU	✓
POP regulation (EU) 2019/1021	✓

Regulations and Standards

Norm	DIN EN IEC 60309-2
Declaration of Conformity	CE
Test label	VDE, EAC

Dimensional Drawing



Drawing 2 MB 240	Amp. Poles	16		32	
		3	5	4	5
Dim. in mm	a	148	153	191	185
	b	70	87	94	101
	h	75	92	97	105
	n	108	112	141	133
	y	14.5	16	22	22
Terminal for cond. cross		1	1	2.5	2.5
section (mm ²) min.-max.		-2.5	-2.5	-6	-6