

Plug AM-TOP

Part number: 24772



MENNEKES
Elektrotechnik GmbH & Co. KG

Aloys-Mennekes-Straße 1
57399 Kirchhundem
GERMANY

www.MENNEKES.org

Product Description

- screw connection technology
- single part body
- highly heat resistant contact carrier, nickel plated contacts
- protection against kinking
- strain relief
- cable gland and sealing
- with protective cap
- (form DS)

Technical Details

Plug AM-TOP	24772
Product serie	AM-TOP
Ampere	32A
Number of poles	5p
Clock position	11h
Nominal voltage AC	440 - 460V
Nominal frequency	60 Hz
Protection type IP	IP67
Contact carrier	highly heat resistant contact carrier, nickel plated contacts
Connection	screw terminals
Contact screw drive	PZ2, slot
Tightening torque connection terminal for cable cross-section 2,5 - 4,0 mm ²	0.8 Nm
Tightening torque connection terminal for cable cross-section 6,0 mm ²	1.2 Nm
Recommended wire end treatment for supply cable connection terminal	ferrule square gasproof crimped
Strip length jacket	50 mm
Strip length conductor	12 - 17 mm
Phase inverter	without phase inverter
Pilot contact	without pilot contact
Conductor cross-section min.	2.5 mm ²
Conductor cross-section max.	6 mm ²
Cable kink protection	integrated in cable gland
Protective grommet	without protective grommet

Plug AM-TOP	24772
Protective cap	with protective cap
Weight (net)	423 g
Packaging unit	10 pcs
Quantity per pallet	540 pcs
EAN / identification number	4015394260745

Permissible ambient conditions

	Min.	Max.
Permanent ambient temperature	-25 °C	40 °C

Material properties

Housing	PA6 bronze green [similar RAL 6031]
Protective cap	PC bronze green [similar RAL 6031]
Bayonet ring	PC bronze green [similar RAL 6031]
Clamp basket	PA6 natural colour [no RAL colour code] TPE natural colour [no RAL colour code]
Fastening	PA6 bronze green [similar RAL 6031]

Material resistance

The material resistance overview can be found on the website in the section “Knowledge” - “Product knowledge” - “Materials”.

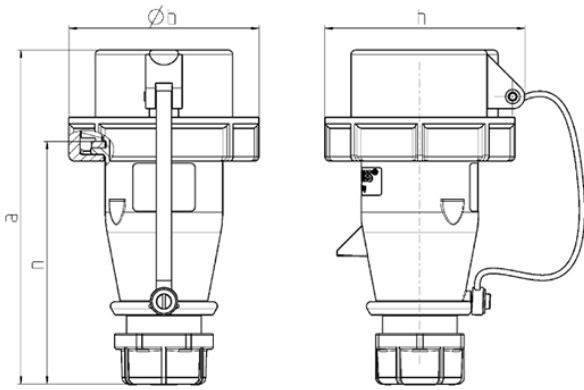
Material and environmental properties

RoHS 2011/65/EU incl. 2015/863/EU	✓
POP regulation (EU) 2019/1021	✓

Regulations and Standards

Norm	DIN EN IEC 60309-2
Declaration of Conformity	CE
Test label	CB Zertifikat, VDE, EAC

Dimensional Drawing



Drawing 2 MB 240	Amp. Poles	16		32	
		3	5	4	5
Dim. in mm	a	148	153	191	185
	b	70	87	94	101
	h	75	92	97	105
	n	108	112	141	133
	y	14.5	16	22	22
Terminal for cond. cross section (mm ²) min.-max.		1	1	2.5	2.5
		-2.5	-2.5	-6	-6