

# Connector AM-TOP

Part number: 24787



**MENNEKES**  
Elektrotechnik GmbH & Co. KG

Aloys-Mennekes-Straße 1  
57399 Kirchhundem  
GERMANY

[www.MENNEKES.org](http://www.MENNEKES.org)

## Product Description

- screw connection technology
- single part body
- highly heat resistant contact carrier, nickel plated contacts
- protection against kinking
- strain relief
- cable gland and sealing
- (form DS)

## Technical Details

Connector AM-TOP	24787
Product serie	AM-TOP
Ampere	32A
Number of poles	5p
Clock position	11h
Nominal voltage AC	440 - 460V
Nominal frequency	60 Hz
Protection type IP	IP67
Contact carrier	highly heat resistant contact carrier, nickel plated contacts
X-CONTACT	no
Connection	screw terminals
Contact screw drive	PZ2, slot
Tightening torque connection terminal for cable cross-section 2,5 - 4,0 mm <sup>2</sup>	0.8 Nm
Tightening torque connection terminal for cable cross-section 6,0 mm <sup>2</sup>	1.2 Nm
Recommended wire end treatment for supply cable connection terminal	ferrule square gasproof crimped
Strip length jacket	50 mm
Strip length conductor PH + N	12 - 17 mm
Strip length conductor PE	12 - 17 mm
Pilot contact	without pilot contact
Conductor cross-section min.	2.5 mm <sup>2</sup>

<b>Connector AM-TOP</b>	<b>24787</b>
Conductor cross-section max.	6 mm <sup>2</sup>
Cable kink protection	integrated in cable gland
Protective grommet	without protective grommet
Weight (net)	452 g
Packaging unit	10 pcs
Quantity per pallet	540 pcs
EAN / identification number	4015394260851

**Permissible ambient conditions**

	Min.	Max.
Permanent ambient temperature	-25 °C	40 °C

**Material properties**

Housing	PA6 bronze green [similar RAL 6031]
Hinged lid	PC bronze green [similar RAL 6031]
Clamp basket	PA6 natural colour [no RAL colour code]
	TPE natural colour [no RAL colour code]
Fastening	PA6 bronze green [similar RAL 6031]

**Material resistance**

The material resistance overview can be found on the website in the section “Knowledge” - “Product knowledge” - “Materials”.

**Material and enviromental properties**

RoHS 2011/65/EU incl. 2015/863/EU	✓
POP regulation (EU) 2019/1021	✓

Regulations and Standards

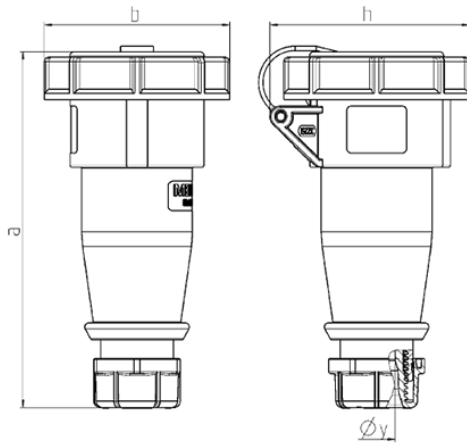
Norm

DIN EN IEC 60309-2

Declaration of Conformity

CE

# Dimensional Drawing



Drawing	Amp. Poles	16		32	
		3	5	3	5
3 MB 73					
Dim. in mm	a	160	170	204	205
	b	70	87	101	101
	h	78	94	98	105
	y	14.5	16	22	22
Terminal for cond. cross		1	1	2.5	2.5
section (mm <sup>2</sup> ) min.-max.		-2.5	-2.5	-6	-6