

Plug PowerTOP Plus

Part number: 3204



MENNEKES
Elektrotechnik GmbH & Co. KG

Aloys-Mennekes-Straße 1
57399 Kirchhundem
GERMANY

www.MENNEKES.org

Product Description

- screw connection technology ErgoCONTACT
- enclosure with thread lock and safety slide
- protection against kinking
- strain relief
- cable gland and sealing
- area for self-adhesive labels

Technical Details

Plug PowerTOP Plus	3204
Product serie	PowerTOP Plus
Ampere	16A
Number of poles	3p
Clock position	6h
Nominal voltage AC	230V
Nominal frequency	50 - 60 Hz
Protection type IP	IP44
Contact carrier	standard
Connection	screw terminals - ErgoCONTACT
Contact screw drive	PZ2, slot
Tightening torque connection terminal	1.2 Nm
Recommended wire end treatment for supply cable connection terminal	ferrule square gasproof crimped
Strip length jacket	50 mm
Strip length conductor	10 mm
Phase inverter	without phase inverter
Pilot contact	without pilot contact
Conductor cross-section min.	1 mm ²
Conductor cross-section max.	2.5 mm ²
Cable kink protection	integrated in cable gland
Protective grommet	without protective grommet
Protective cap	without protective cap
Weight (net)	148 g
Packaging unit	10 pcs

Plug PowerTOP Plus	3204
Quantity per pallet	1120 pcs
EAN / identification number	4015394296423

Permissible ambient conditions		
	Min.	Max.
Permanent ambient temperature	-25 °C	40 °C

Material properties	
Cover	PA6 squirrel grey [similar RAL 7000]
Front part	PA6 blue [similar RAL 5007]
Clamp basket	PA6 natural colour [no RAL colour code]
	TPE squirrel grey [similar RAL 7000]
Fastening	PA6 squirrel grey [similar RAL 7000]

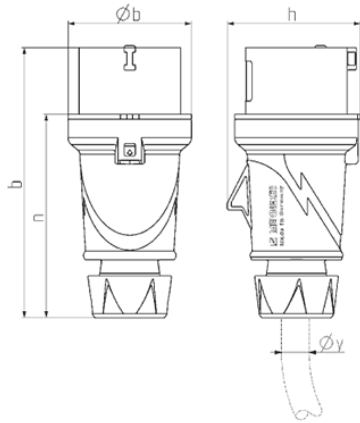
Material resistance

The material resistance overview can be found on the website in the section “Knowledge” - “Product knowledge” - “Materials”.

Material and environmental properties	
RoHS 2011/65/EU incl. 2015/863/EU	✓
POP regulation (EU) 2019/1021	✓

Regulations and Standards	
Norm	DIN EN IEC 60309-2
Declaration of Conformity	CE
Test label	CB Zertifikat, VDE, CQC

Dimensional Drawing



Drawing 2 MB 254	Amp. Poles	16			32		
		3	4	5	3	4	5
Dim. in mm	a	144	153	153	188	188	188
	b	55	68	68	78	78	78
	h	58	70	74	81	81	86
	n	107	116	116	142	142	142
y min. from		7	8	8	10.5	10.5	13.5
to max. mm		-13	-15.5	-15.5	-18	-18	-20
Terminal for cond. cross		1	1	1	-2.5	-2.5	-2.5
section (mm ²) min.-max.		-2.5	-2.5	-2.5	-6	-6	-6