

# Plug PowerTOP Plus

Part number: 3249



**MENNEKES**  
Elektrotechnik GmbH & Co. KG

Aloys-Mennekes-Straße 1  
57399 Kirchhundem  
GERMANY

[www.MENNEKES.org](http://www.MENNEKES.org)

## Product Description

- highly heat resistant contact carrier, nickel plated contacts
- frame terminals
- protection against kinking
- strain relief
- cable gland and sealing

## Technical Details

Plug PowerTOP Plus	3249
Product serie	PowerTOP Plus
Ampere	63A
Number of poles	4p
Clock position	9h
Nominal voltage AC	230V
Nominal frequency	50 - 60 Hz
Protection type IP	IP44
Contact carrier	highly heat resistant contact carrier, nickel plated contacts
Connection	frame terminals
Contact screw drive	PZ2, slot
Tightening torque connection terminal	2 Nm
Recommended wire end treatment for supply cable connection terminal	usable with and without ferrule
Strip length jacket	80 mm
Strip length conductor	18 mm
Phase inverter	without phase inverter
Pilot contact	1 pilot contact
Conductor cross-section min.	6 mm <sup>2</sup>
Conductor cross-section max.	16 mm <sup>2</sup>
Cable kink protection	integrated in cable gland
Protective grommet	without protective grommet
Protective cap	without protective cap
Weight (net)	704 g
Packaging unit	5 pcs

Plug PowerTOP Plus	3249
Quantity per pallet	225 pcs
EAN / identification number	4015394239352

Permissible ambient conditions		
	Min.	Max.
Permanent ambient temperature	-25 °C	40 °C

Material properties	
Cover	PBT/PC squirrel grey [similar RAL 7000]
Front part	PBT/PC blue [similar RAL 5007]
	TPE black [similar RAL 9005]
Clamp basket	PBT/PC black [similar RAL 9005]
	TPE natural colour [no RAL colour code]
Fastening	PBT/PC squirrel grey [similar RAL 7000]

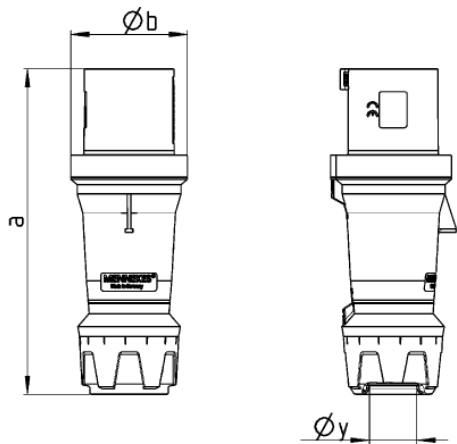
**Material resistance**

The material resistance overview can be found on the website in the section “Knowledge” - “Product knowledge” - “Materials”.

Material and environmental properties	
RoHS 2011/65/EU incl. 2015/863/EU	✓
POP regulation (EU) 2019/1021	✓

Regulations and Standards	
Norm	DIN EN IEC 60309-2
Declaration of Conformity	CE
Test label	CB Zertifikat, VDE, EAC, CQC

# Dimensional Drawing



Drawing 2 MB 228	Amp. Poles	63		
		3	4	5
Dim. in mm	a	250	250	250
	Øb	90	90	90
	Øy [max]	36	36	36
Terminal for cond. cross		6	6	6
section (mm <sup>2</sup> ) min.-max.		—16	—16	—16