

Plug PowerTOP Plus

Part number: 3377



MENNEKES
Elektrotechnik GmbH & Co. KG

Aloys-Mennekes-Straße 1
57399 Kirchhundem
GERMANY

www.MENNEKES.org

Product Description

- highly heat resistant contact carrier, nickel plated contacts
- frame terminals
- protection against kinking
- strain relief
- cable gland and sealing

Technical Details

| Plug PowerTOP Plus | 3377 |
|---|---|
| Product serie | PowerTOP Plus |
| Ampere | 125A |
| Number of poles | 4p |
| Clock position | 7h |
| Nominal voltage AC | 500V |
| Nominal frequency | 50 - 60 Hz |
| Protection type IP | IP67 |
| Contact carrier | highly heat resistant contact carrier, nickel plated contacts |
| Connection | frame terminals |
| Contact screw drive | allen key |
| Tightening torque connection terminal | 10 Nm |
| Recommended wire end treatment for supply cable connection terminal | usable with and without ferrule |
| Strip length jacket | 110 mm |
| Strip length conductor | 27 mm |
| Phase inverter | without phase inverter |
| Pilot contact | 1 pilot contact |
| Conductor cross-section min. | 25 mm ² |
| Conductor cross-section max. | 50 mm ² |
| Cable kink protection | integrated in cable gland |
| Protective grommet | without protective grommet |
| Protective cap | without protective cap |
| Weight (net) | 1350 g |
| Packaging unit | 5 pcs |

| | |
|-----------------------------|---------------|
| Plug PowerTOP Plus | 3377 |
| Quantity per pallet | 160 pcs |
| EAN / identification number | 4015394248897 |

| Permissible ambient conditions | Min. | Max. |
|--------------------------------|-------------------------------|--------|
| | Permanent ambient temperature | -25 °C |

| Material properties | |
|---------------------|---|
| Cover | PBT/PC squirrel grey [similar RAL 7000] |
| Front part | PBT/PC black [similar RAL 9005] |
| | TPE black [similar RAL 9005] |
| Bayonet ring | PBT/PC squirrel grey [similar RAL 7000] |
| Clamp basket | PBT/PC squirrel grey [similar RAL 7000] |
| | TPE natural colour [no RAL colour code] |
| Fastening | PBT/PC squirrel grey [similar RAL 7000] |

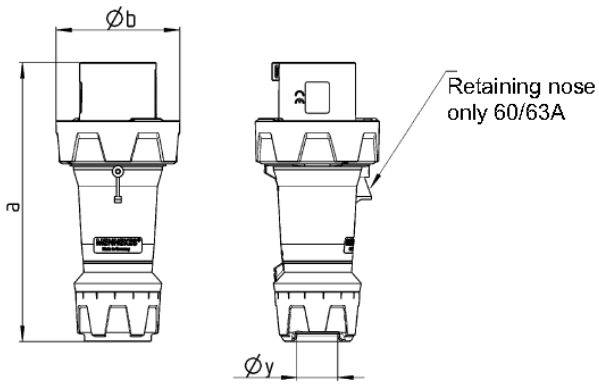
Material resistance

The material resistance overview can be found on the website in the section “Knowledge” - “Product knowledge” - “Materials”.

| Material and enviromental properties | |
|--------------------------------------|---|
| RoHS 2011/65/EU incl. 2015/863/EU | ✓ |
| POP regulation (EU) 2019/1021 | ✓ |

| Regulations and Standards | |
|---------------------------|--------------------|
| Norm | DIN EN IEC 60309-2 |
| Declaration of Conformity | CE |
| Test label | EAC, CQC |

Dimensional Drawing



| Drawing | Amp. Poles | 63 | | | 125 | | |
|--------------------------------------|---------------|-----|-----|-----|-----|-----|-----|
| | | 3 | 4 | 5 | 3 | 4 | 5 |
| 2 MB 227 | | | | | | | |
| Dim. in mm | a | 250 | 250 | 250 | 290 | 290 | 290 |
| | Øb | 111 | 111 | 111 | 128 | 128 | 128 |
| | Øy [max] | 36 | 36 | 36 | 49 | 49 | 49 |
| Terminal for cond. cross | | 6 | 6 | 6 | 25 | 25 | 25 |
| section (mm ²) min.-max. | | -16 | -16 | -16 | -50 | -50 | -50 |