

# Connector PowerTOP Plus

Part number: 3416



**MENNEKES**  
Elektrotechnik GmbH & Co. KG

Aloys-Mennekes-Straße 1  
57399 Kirchhundem  
GERMANY

[www.MENNEKES.org](http://www.MENNEKES.org)

## Product Description

- screw connection technology ErgoCONTACT
- enclosure with thread lock and safety slide
- X-CONTACT
- protection against kinking
- strain relief
- cable gland and sealing
- area for self-adhesive labels

## Technical Details

Connector PowerTOP Plus	3416
Product serie	PowerTOP Plus
Ampere	32A
Number of poles	5p
Clock position	6h
Nominal voltage AC	400V
Nominal frequency	50 - 60 Hz
Protection type IP	IP44
Contact carrier	standard
X-CONTACT	yes
Connection	screw terminals - ErgoCONTACT
Contact screw drive	PZ2, slot
Tightening torque connection terminal	1.8 Nm
Recommended wire end treatment for supply cable connection terminal	ferrule square gasproof crimped
Strip length jacket	60 mm
Strip length conductor PH + N	12 - 15 mm
Strip length conductor PE	12 - 15 mm
Pilot contact	without pilot contact
Conductor cross-section min.	2.5 mm <sup>2</sup>
Conductor cross-section max.	6 mm <sup>2</sup>
Cable kink protection	integrated in cable gland
Protective grommet	without protective grommet

Connector PowerTOP Plus	3416
Weight (net)	378 g
Packaging unit	10 pcs
Quantity per pallet	540 pcs
EAN / identification number	4015394296478

Permissible ambient conditions

	Min.	Max.
Permanent ambient temperature	-25 °C	40 °C

Material properties

Cover	PA6 squirrel grey [similar RAL 7000]
Front part	PA6 red [similar RAL 3013]
Hinged lid	PC red [similar RAL 3013]
Clamp basket	PA6 natural colour [no RAL colour code]
	TPE natural colour [no RAL colour code]
Fastening	PA6 squirrel grey [similar RAL 7000]

Material resistance

The material resistance overview can be found on the website in the section “Knowledge” - “Product knowledge” - “Materials”.

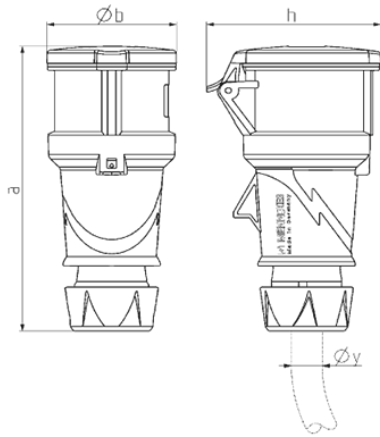
Material and enviromental properties

RoHS 2011/65/EU incl. 2015/863/EU	✓
POP regulation (EU) 2019/1021	✓

Regulations and Standards

Norm	DIN EN IEC 60309-2
Declaration of Conformity	CE
Test label	CB Zertifikat, VDE, CQC

# Dimensional Drawing



Drawing	Amp.	16			32		
		Poles			3	4	5
<b>3 MB 80</b>							
Dim. in mm	<b>a</b>	155	167	164	202	202	200
	<b>b</b>	55	68	69	78	78	80
	<b>h</b>	72	92	98	100	100	107
<b>y min. from</b>		7	8	8	10.5	10.5	13.5
<b>to max. mm</b>		-13	-15.5	-15.5	-18	-18	-20
<b>Terminal for cond. cross</b>		1	1	1	-2.5	-2.5	-2.5
<b>section (mm<sup>2</sup>) min.-max.</b>		-2.5	-2.5	-2.5	-6	-6	-6