

Wall mounted receptacle Cepex

Part number: 4520



MENNEKES
Elektrotechnik GmbH & Co. KG

Aloys-Mennekes-Straße 1
57399 Kirchhundem
GERMANY

www.MENNEKES.org

Product Description

- screw connection technology
- internal fixing
- enclosure can be turned 180°
- French-Belgian standard
- with integrated enhanced touch protection
- 3 screw terminals as connecting terminals for 1,5 - 2,5 mm²
- with labeling field
- with safety lock, two keys
- also available with identical lock
- cannot be dismantled when locked

Technical Details

| Wall mounted receptacle Cepex | 4520 |
|---------------------------------------|-----------------------|
| Product serie | Cepex |
| Ampere | 16A |
| Number of poles | 2p+PE |
| Nominal voltage AC | 230V |
| Protection type IP | IP54 |
| Contact carrier | standard |
| X-CONTACT | no |
| Connection | screw terminals |
| Contact screw drive | PZ2, slot |
| Pilot contact | without pilot contact |
| Pilot contact switch | no |
| Blind cable entry at the rear | no |
| Enclosure base can be turned 180° | yes |
| Insertion direction | straight |
| Type of mounting | internal fixing |
| Highly resistant to chemicals | no |
| Military version | no |
| Lockable | yes |
| Identical lock | no |
| Labeling field | yes |
| Tightening torque connection terminal | 0.8 Nm |
| Strip length solid conductor | 10 - 12 mm |

| | |
|-------------------------------|---------------------|
| Wall mounted receptacle Cepex | 4520 |
| Conductor cross-section min. | 1.5 mm ² |
| Conductor cross-section max. | 2.5 mm ² |
| Weight (net) | 300 g |
| Packaging unit | 8 pcs |
| Quantity per pallet | 720 pcs |
| EAN / identification number | 4015394315469 |

| Permissible ambient conditions | | |
|-----------------------------------|-------|-------|
| | Min. | Max. |
| Permanent ambient temperature | -5 °C | 40 °C |
| Average temperature over 24 hours | | 35 °C |

| Material properties | |
|---------------------|--------------------------------------|
| Base | PC/ASA light grey [similar RAL 7035] |
| Upper part | PC/ASA light grey [similar RAL 7035] |
| Hinged lid | PC/ASA light grey [similar RAL 7035] |

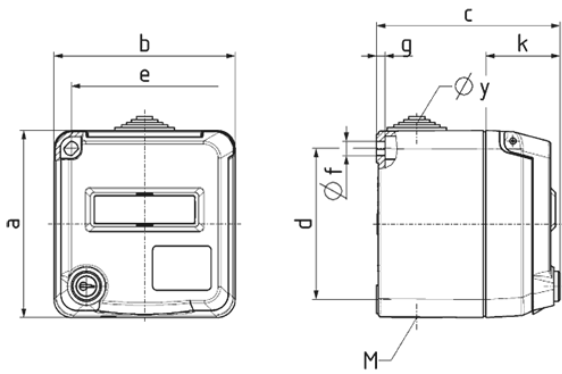
Material resistance

The material resistance overview can be found on the website in the section “Knowledge” - “Product knowledge” - “Materials”.

| Material and environmental properties | |
|---------------------------------------|---|
| RoHS 2011/65/EU incl. 2015/863/EU | ✓ |
| POP regulation (EU) 2019/1021 | ✓ |

| Regulations and Standards | |
|---------------------------|------------------|
| Norm | DIN VDE 0620-2-1 |
| Declaration of Conformity | CE |

Dimensional Drawing



| Drawing | Amp. Poles | 16 | | | 32 | | | |
|---|---------------|--------|--------|--------|--------|--------|--------|--------|
| | | 2p+E | 3 | 4 | 5 | 3 | 4 | 5 |
| 1 MB 748 | | | | | | | | |
| Dim. in mm | a | 93 | 93 | 93 | 93 | 93 | 93 | 93 |
| | b | 90 | 90 | 90 | 90 | 90 | 90 | 90 |
| | c | 92 | 92 | 92 | 92 | 104 | 104 | 104 |
| | d | 75 | 75 | 75 | 75 | 75 | 75 | 75 |
| | e | 73 | 73 | 73 | 73 | 73 | 73 | 73 |
| | f | 5.5 | 5.5 | 5.5 | 5.5 | 5.5 | 5.5 | 5.5 |
| | g | 4.2 | 4.2 | 4.2 | 4.2 | 4.2 | 4.2 | 4.2 |
| | k | 37 | 37 | 37 | 37 | 37 | 37 | 37 |
| | y | 25.5 | 25.5 | 25.5 | 25.5 | 25.5 | 25.5 | 25.5 |
| | M | 25x1.5 | 25x1.5 | 25x1.5 | 25x1.5 | 25x1.5 | 25x1.5 | 25x1.5 |
| Terminal for cond. cross section (mm ²) min.-max. | | 1.5 | 1.5 | 1.5 | 1.5 | 2.5 | 2.5 | 2.5 |
| | | 2.5 | -4 | -4 | -4 | -6 | -6 | -6 |