

# Panel mounted receptacle

Part number: 1388



**MENNEKES**  
Elektrotechnik GmbH & Co. KG

Aloys-Mennekes-Straße 1  
57399 Kirchhundem  
GERMANY

[www.MENNEKES.org](http://www.MENNEKES.org)

# Product Description

- screw connection technology
- straight insertion direction

# Technical Details

| Panel mounted receptacle  | 1388                  |
|---|-----------------------|
| Ampere  | 16A                   |
| Number of poles   | 4p                    |
| Clock position  | 4h                    |
| Nominal voltage AC  | 110V                  |
| Nominal frequency   | 50 - 60 Hz            |
| Protection type IP  | IP44                  |
| Contact carrier   | standard              |
| X-CONTACT   | no                    |
| Connection  | screw terminals       |
| Contact screw drive   | PZ2, slot             |
| Pilot contact   | without pilot contact |
| Pilot contact switch  | no                    |
| Flange dimensions   | 75 x 75 mm            |
| Hole spacings   | 60 x 60 mm            |
| Insertion direction   | straight              |
| Highly resistant to chemicals   | no                    |
| Military version  | no                    |
| Tightening torque connection terminal for cable cross-section 1,0 - 1,5 mm <sup>2</sup> | 0.6 Nm                |
| Tightening torque connection terminal for cable cross-section 2,5 - 4,0 mm <sup>2</sup> | 0.8 Nm                |
| Tightening torque connection terminal for cable cross-section 6 - 10 mm <sup>2</sup>    | 1.2 Nm                |
| Strip length PH + N flexible conductor  | 8 - 10 mm             |
| Strip length PE flexible conductor  | 12 - 17 mm            |
| Strip length PH + N solid conductor   | 8 - 10 mm             |
| Strip length PE solid conductor   | 12 - 17 mm            |

|                                 |                     |
|---------------------------------|---------------------|
| <b>Panel mounted receptacle</b> | <b>1388</b>         |
| Conductor cross-section min.    | 1.5 mm <sup>2</sup> |
| Conductor cross-section max.    | 4 mm <sup>2</sup>   |
| Weight (net)                    | 161 g               |
| Packaging unit                  | 10 pcs              |
| Quantity per pallet             | 1520 pcs            |
| EAN / identification number     | 4015394010173       |

### Permissible ambient conditions

|                                   | Min.   | Max.  |
|-----------------------------------|--------|-------|
| Permissible ambient temperature   | -25 °C | 40 °C |
| Average temperature over 24 hours |        | 35 °C |

### Material properties

|            |                                   |
|------------|-----------------------------------|
| Housing    | PA6 light grey [similar RAL 7035] |
| Hinged lid | PA6 yellow [similar RAL 1021]     |

### Material resistance

The material resistance overview can be found on the website in the section "Knowledge" - "Product knowledge" - "Materials".

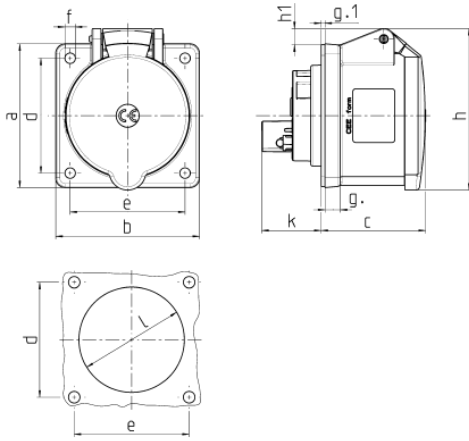
### Material and environmental properties

|                                   |    |
|-----------------------------------|----|
| RoHS 2011/65/EU incl. 2015/863/EU | ✓  |
| POP regulation (EU) 2019/1021     | ✓  |
| Halogen-free                      | no |

Regulations and Standards

|                           |                    |
|---------------------------|--------------------|
| Norm                      | DIN EN IEC 60309-2 |
| Declaration of Conformity | CE                 |
| Test label                | EAC, CQC           |

# Dimensional Drawing



| Drawing<br>1 MB 247  | Amp.<br>Poles | 16  |     |     | 32  |     |     |
|--|---------------|-----|-----|-----|-----|-----|-----|
|  |               | 3   | 4   | 5   | 3   | 4   | 5   |
| Dim. in mm   | a             | 75  | 75  | 75  | 75  | 75  | 75  |
|  | b             | 75  | 75  | 75  | 75  | 75  | 75  |
|  | c             | 53  | 53  | 55  | 64  | 64  | 65  |
|  | d             | 60  | 60  | 60  | 60  | 60  | 60  |
|  | e             | 60  | 60  | 60  | 60  | 60  | 60  |
|  | f             | 5.5 | 5.5 | 5.5 | 5.5 | 5.5 | 5.5 |
|  | g.            | 8   | 8   | 8   | 8   | 8   | 8   |
|  | g.1           | 2   | 2   | 2   | 2   | 2   | 2   |
|  | h             | 75  | 80  | 83  | 89  | 89  | 100 |
|  | h1            |     | 6   | 8   | 11  | 11  | 12  |
|  | k             | 31  | 32  | 32  | 39  | 39  | 39  |
|  | l             | 43  | 52  | 54  | 58  | 58  | 62  |
| Terminal for cond. cross<br>section (mm <sup>2</sup> ) min.-max. |               | 1.5 | 1.5 | 1.5 | 2.5 | 2.5 | 2.5 |
|  |               | —4  | —4  | —4  | —10 | —10 | —10 |