

# Panel mounted receptacle SCHUKO

Part number: 17021



**MENNEKES**  
Elektrotechnik GmbH & Co. KG

Aloys-Mennekes-Straße 1  
57399 Kirchhundem  
GERMANY

[www.MENNEKES.org](http://www.MENNEKES.org)

## Product Description

- screw connection technology
- straight insertion direction
- (form AS)
- German standard
- with hinged lid
- 3 screw terminals as connecting terminals for 1,5 - 2,5 mm<sup>2</sup>
- bayonet lock lid attached by a strap

## Technical Details

Panel mounted receptacle SCHUKO	17021
Product serie	SCHUKO
Ampere	16A
Number of poles	2p+PE
Nominal voltage AC	230V
Protection type IP	IP68
Contact carrier	standard
X-CONTACT	no
Connection	screw terminals
Contact screw drive	PZ2, slot
Pilot contact	without pilot contact
Pilot contact switch	no
Flange dimensions	75 x 75 mm
Hole spacings	60 x 60 mm
Insertion direction	straight
Highly resistant to chemicals	no
Military version	yes
Tightening torque connection terminal	0.8 Nm
Conductor cross-section min.	1.5 mm <sup>2</sup>
Conductor cross-section max.	2.5 mm <sup>2</sup>
Weight (net)	110 g
Packaging unit	10 pcs
Quantity per pallet	1520 pcs

Panel mounted receptacle SCHUKO	17021
EAN / identification number	4015394288602

Permissible ambient conditions		
	Min.	Max.
Permissible ambient temperature	-5 °C	40 °C
Average temperature over 24 hours		35 °C

Material properties	
Housing	PA6 bronze green [similar RAL 6031]
Hinged lid	PA6 bronze green [similar RAL 6031]
	PA6 bronze green [similar RAL 6031]

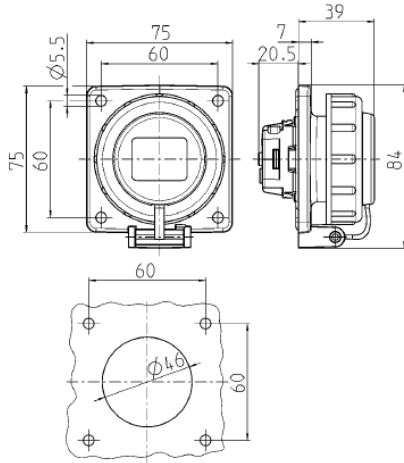
**Material resistance**

The material resistance overview can be found on the website in the section “Knowledge” - “Product knowledge” - “Materials”.

Material and environmental properties	
RoHS 2011/65/EU incl. 2015/863/EU	✓
POP regulation (EU) 2019/1021	✓
Halogen-free	yes

Regulations and Standards	
Norm	DIN VDE 0620-2-1
Declaration of Conformity	CE
Test label	EAC, VDE

# Dimensional Drawing



Drawing  
1 MB 628

Dim. in mm