

Wall mounted receptacle

Part number: 24315



MENNEKES
Elektrotechnik GmbH & Co. KG

Aloys-Mennekes-Straße 1
57399 Kirchhundem
GERMANY

www.MENNEKES.org

Product Description

- nickel plated contacts, highly heat resistant contact carrier
- frame terminals
- X-CONTACT
- internal fixing
- 25° inclination
- enclosure can be turned 180°
- rubberised bayonet ring
- with 6 fixing points to accommodate special terminals

Technical Details

Wall mounted receptacle	24315
Ampere	63A
Number of poles	4p
Clock position	6h
Nominal voltage AC	400V
Nominal frequency	50 - 60 Hz
Protection type IP	IP67
Contact carrier	nickel plated contacts, highly heat resistant contact carrier
X-CONTACT	yes
Connection	frame terminals
Contact screw drive	PZ2, slot
Screw drive external screws	PZ2, slot
Pilot contact	without pilot contact
Pilot contact switch	no
Cable entry at the top	1 x M40
Cable entry at the bottom	2 x M40 (blind)
Blind cable entry at the rear	no
Enclosure base can be turned 180°	yes
Insertion direction	angled
Inclination	25°
Type of mounting	internal fixing
Highly resistant to chemicals	no
Military version	no

Wall mounted receptacle	24315
Lockable	no
Tightening torque connection terminal	2 Nm
Conductor cross-section min.	6 mm ²
Conductor cross-section max.	25 mm ²
Weight (net)	930 g
Packaging unit	5 pcs
Quantity per pallet	160 pcs
EAN / identification number	4015394046059

Permissible ambient conditions		
	Min.	Max.
Permissible ambient temperature	-25 °C	40 °C
Average temperature over 24 hours		35 °C

Material properties	
Base	PC/PET light grey [similar RAL 7035]
Upper part	PC/PET light grey [similar RAL 7035]
Hinged lid	PBT/PC red [similar RAL 3013]
	TPE black [similar RAL 9005]
	PBT/PC squirrel grey [similar RAL 7000]
	TPE anthracite [similar RAL 7016]
External screws	stainless steel bare

Material resistance

The material resistance overview can be found on the website in the section “Knowledge” - “Product knowledge” - “Materials”.

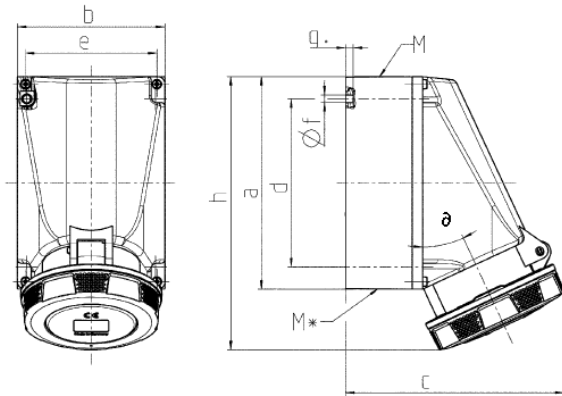
Material and environmental properties

RoHS 2011/65/EU incl. 2015/863/EU	✓
POP regulation (EU) 2019/1021	✓
Halogen-free	no

Regulations and Standards

Norm	DIN EN IEC 60309-2
Declaration of Conformity	CE
Test label	EAC

Dimensional Drawing



Drawing 1 MB 112/162	Amp. Poles	63			125	
		3	4	5	4	5
Dim. in mm	a	170	170	170	264	264
	b	118	118	118	163	163
	c	175	175	175	200	200
	d	134.5	134.5	134.5	240	240
	e	103	103	103	140	140
	f	6.1	6.1	6.1	8.1	8.1
	g	6	6	6	8	8
	h	219	219	219	306	306
	M	40	40	40	50	50
	M*	2x40 (blind) to be cut out			50	50
	s	25	25	25	20	20
	Max. cable diam. (mm)	27	27	27	38	38
	Terminal for cond. cross section (mm ²) min.-max.	6	6	6	25	25
		-25	-25	-25	-35	-35