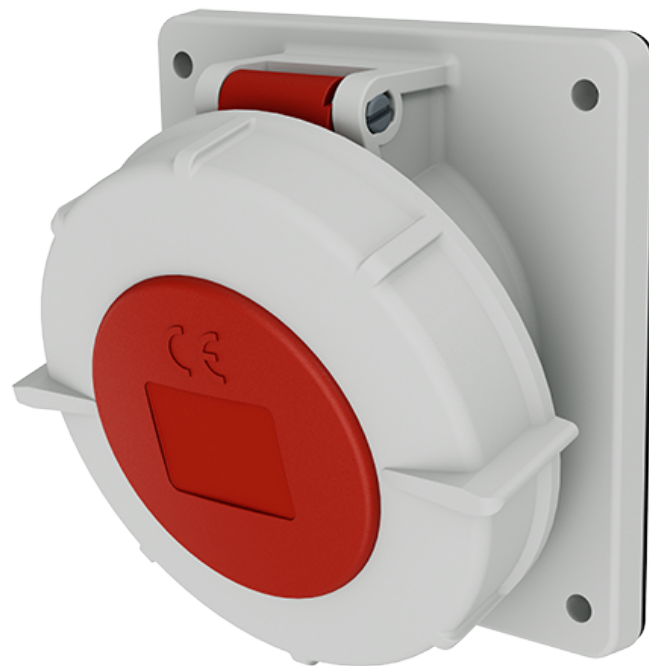


# Panel mounted receptacle

Part number: 3334



**MENNEKES**  
Elektrotechnik GmbH & Co. KG

Aloys-Mennekes-Straße 1  
57399 Kirchhundem  
GERMANY

[www.MENNEKES.org](http://www.MENNEKES.org)

## Product Description

- screw connection technology
- 15° inclination
- receptacle is designed for adding an auxiliary contact switch

## Technical Details

Panel mounted receptacle	3334
Ampere	32A
Number of poles	5p
Clock position	6h
Nominal voltage AC	400V
Nominal frequency	50 - 60 Hz
Protection type IP	IP67
Contact carrier	standard
X-CONTACT	no
Connection	screw terminals
Contact screw drive	PZ2, slot
Pilot contact	without pilot contact
Pilot contact switch	no
Flange dimensions	110 x 106 mm
Hole spacings	90 x 90 mm
Insertion direction	angled
Inclination	15°
Highly resistant to chemicals	no
Military version	no
Tightening torque connection terminal for cable cross-section 1,0 - 1,5 mm <sup>2</sup>	0.6 Nm
Tightening torque connection terminal for cable cross-section 2,5 - 4,0 mm <sup>2</sup>	0.8 Nm
Tightening torque connection terminal for cable cross-section 6 - 10 mm <sup>2</sup>	1.2 Nm
Strip length PH + N flexible conductor	12 - 17 mm
Strip length PE flexible conductor	12 - 17 mm
Strip length PH + N solid conductor	12 - 17 mm

<b>Panel mounted receptacle</b>	<b>3334</b>
Strip length PE solid conductor	12 - 17 mm
Conductor cross-section min.	2.5 mm <sup>2</sup>
Conductor cross-section max.	10 mm <sup>2</sup>
Weight (net)	320 g
Packaging unit	10 pcs
Quantity per pallet	660 pcs
EAN / identification number	4015394188070

**Permissible ambient conditions**

	Min.	Max.
Permissible ambient temperature	-25 °C	40 °C
Average temperature over 24 hours		35 °C

**Material properties**

Housing	PA6 light grey [similar RAL 7035]
Hinged lid	PA6 red [similar RAL 3013]
	TPE black [similar RAL 9005]
	PBT/PC squirrel grey [similar RAL 7000]

**Material resistance**

The material resistance overview can be found on the website in the section “Knowledge” - “Product knowledge” - “Materials”.

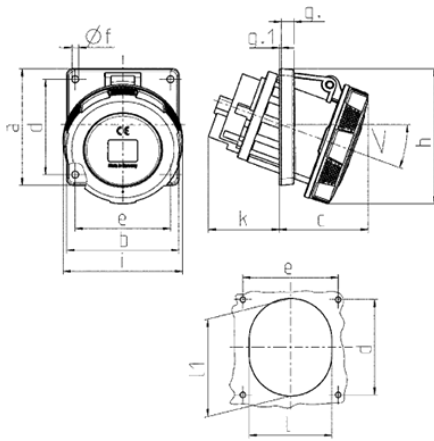
**Material and environmental properties**

RoHS 2011/65/EU incl. 2015/863/EU	✓
POP regulation (EU) 2019/1021	✓
Halogen-free	yes

Regulations and Standards

Norm	DIN EN IEC 60309-2
Declaration of Conformity	CE
Test label	CB Zertifikat, VDE, EAC

# Dimensional Drawing



Drawing	Amp.	16	32	63		125
<b>1 MB 580/601</b>	<b>Poles</b>	<b>5</b>	<b>5</b>	<b>4</b>	<b>5</b>	<b>5</b>
Dim. in mm	a	110	110	110	110	114
	b	106	106	106	106	110
	c	55	59	84	84	75
	d	90	90	90	90	90
	e	90	90	90	90	90
	f	5.2	5.2	6.5	6.5	6.2
	g	8	8	12	12	13
	g.1	2	2	2	2	2
	h	110	115	128	128	133
	i	89	106	113	113	126
	k	28	46	64	67	103
	l	78	87	92	92	94
	l1	-	-	98	98	107
	$\alpha$	15°	15°	20°	15°	15°
Terminal for cond. cross section (mm <sup>2</sup> ) min.-max.		1.5 -4	2.5 -10	6 -20	6 -20	25 -70